

TH7325 Thermostat

Hazardous Location Thermostat

UL:
 Class I, Division 1 and 2, Groups
 B, C, D
 Class II, Division 1 and 2, Groups
 E, F, G

CSA:
 Class I, Division 1 and 2, Groups
 B, C, D
 Class II, Division 1 and 2, Groups
 E, F, G

FM:
 Class I, Division 1 and 2, Groups
 B, C, D
 Class II, Division 1 and 2, Groups
 E, F, G

ATEX:
 II 2 G D
 EEx d IIC T6
 Tamb -40°C to +60°C
 IP65

Applications

- TH7325 thermostat is used for controlling heat tracing systems in hazardous locations.
- The capillary bulb should be mounted on the side of the pipe.

Features

- Enclosure: Cast Aluminum
- Classifications: NEMA Type 4, 7, 9 IP66
- Temperature Range: -4°C to +163°C (+25 to +325°F)
- Enclosure Limits: -40°C to +60°C (-40°F to +140°F)
- Capillary:
 - Length: 3m (10ft)
 - Material: Stainless Steel
 - Maximum Bulb Temperature: +215°C (+420°F)
- Electrical Data:
 - CSA Rating: 22 amp resistance 480 Vac
 - UL Rating: 22 amp resistance 480 Vac
- Calibration Accuracy: +1.6°C (+3°F)
- Switch Type: Single Pole Double Throw

Certifications and Compliances

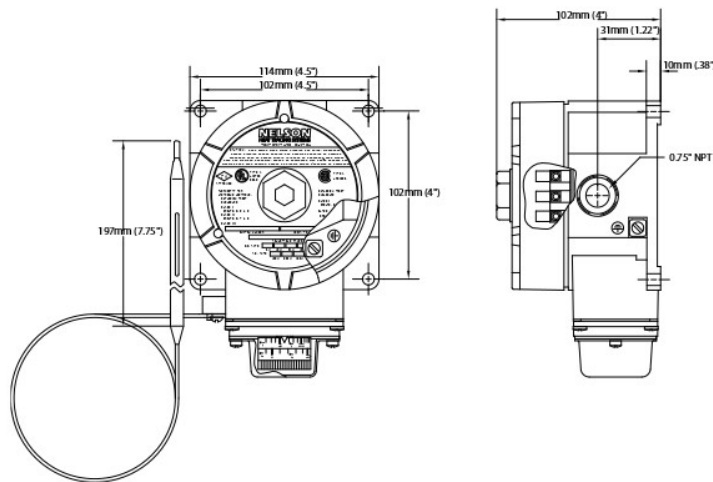
- UL Listed: E53121
- CSA Certified: LR701950
- FM Approved: 1Z1A0.Ae
- LCIE Certified: 07 ATEX 6093X



CONTROL AND MONITORING SYSTEMS: THERMOSTATS

NELSON™

Dimensions in Millimeters (Inches)



TH7325 Thermostat

Hazardous Location Thermostat

UL:
 Class I, Division 1 and 2, Groups
 B, C, D
 Class II, Division 1 and 2, Groups
 E, F, G

CSA:
 Class I, Division 1 and 2, Groups
 B, C, D
 Class II, Division 1 and 2, Groups
 E, F, G

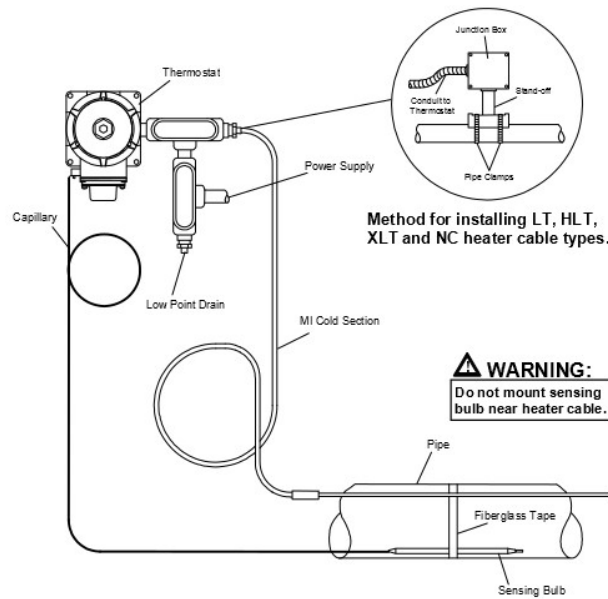
FM:
 Class I, Division 1 and 2, Groups
 B, C, D
 Class II, Division 1 and 2, Groups
 E, F, G

ATEX:
 II 2 G D
 EEx d IIC T6
 Tamb -40°C to +60°C
 IP65

Annual Maintenance

1. Remove cover.
2. Spray a coat of lubricant and rust preventative such as CRC Store and Lube, electrical grade, on the thermostat body.
3. Replace cover.

Installation



Wiring Diagram

